

Download File PDF Solex 3232 Didta Manual Choke

#Jenny



Finally I get this ebook, thanks for all these I can get now!

#Rio



Cool! I'am really happy

#Markus Jensen



I did not think that this would work, my best friend showed me this website, and it does! I get my most wanted eBook

#Hun Tsu



wtf this great ebook for free?!

#Che Salsa

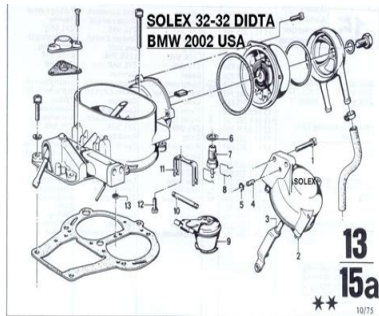


My friends are so mad that they do not know how I have all the high quality ebook which they do not!

#Diego Butler



so many fake sites. this is the first one which worked! Many thanks



[Download PDF version of :](#)
Solex 3232 Didta Manual Choke

Blatt-Nr.	Teil-Nr.	Symbol	Teil-Benennung	Stück/E	USA
1	13 111 258 967	13	ZYL. SHR		
2	13 111 258 207	13	ZYL. SHR		
3	13 111 258 886	13	Unterdrucklöse		
4	*13 111 260 913	13	Unterdrucklöse		
5	13 111 261 745	13	Unterdrucklöse		
6	13 111 261 051	13	Kunststoffschabe		
7	13 111 257 940	13	Reduzierlöse		
8	13 111 258 966	13	DT. AG		
9	13 111 257 109	13	DT. AG		
10	13 111 258 953	13	Schwimmeradelvent		
11	13 111 258 953	13	Biigel		
12	13 111 258 985	13	Schwimmer		
13	13 111 258 955	13	Schwimmerachse		
14	13 111 258 956	13	Halter		
15	13 111 258 886	13	LN. SHR		
16	13 111 258 957	13	Seil		