

Download File PDF Slimline 5 Installation Manual

#Jenny



Finally I get this ebook, thanks for all these I can get now!

#Rio



Cool! I'am really happy

#Markus Jensen



I did not think that this would work, my best friend showed me this website, and it does! I get my most wanted eBook

#Hun Tsu



wtf this great ebook for free?!

#Che Salsa



My friends are so mad that they do not know how I have all the high quality ebook which they do not!

#Diego Butler



so many fake sites. this is the first one which worked! Many thanks


1. Selecting the Installation Location

< Indoor Unit >

Before installing, determine areas for carrying in indoor location (unobstructed to outside air):

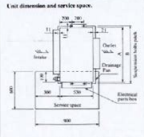
- Select location free of obstructions to airflow in and out of building with any access to outside air either direct piping.
- Avoid locations from which air will be blown into all corners of the room.
- Avoid escape locations, and where oil can splash into the unit.
- Avoid locations in which combustible gas may be generated, stored or held.
- Avoid installation near machines emitting high-frequency sounds (high frequency windows etc.)

Select a location where the air conditioner can be installed onto a sturdy support.



Installation: Ensuring service space

End dimensions and service space:

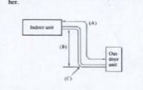


Model	A	B
PE18-2, 3, 4	500	400
PE18-4	520	360
PE18-5	520	500

Check the difference between heights of indoor and outdoor units. (Height of outdoor piping and number of bends in piping) as shown below:

(A) Piping length (see note)	(B) Height difference (see note)	(C) Maximum difference (see note)
Min. 500	1000	1000

* Height difference limitations are binding regardless of which unit, indoor or outdoor, is positioned higher.



[Download PDF version of :](#)
Slimline 5 Installation Manual