

# Download File PDF Roland Gx 500 Service Manual

#Jenny



Finally I get this ebook, thanks for all these I can get now!

#Rio



Cool! I'am really happy

#Markus Jensen



I did not think that this would work, my best friend showed me this website, and it does! I get my most wanted eBook

#Hun Tsu



wtf this great ebook for free?!

#Che Salsa

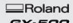



My friends are so mad that they do not know how I have all the high quality ebook which they do not!

#Diego Butler



so many fake sites. this is the first one which worked! Many thanks

**SERVICE NOTES**  **GX-500**  
**CAMM-1 PRO** **GX-400**  
**GX-300**



**Contents**

1 Structures & Spare Parts	1-1	A-7 WIRE TENSION ADJUSTMENT	A-16
1-1 COVERS	1-1	A-8 CALIBRATION	A-18
1-2 DRIVE SHEET	1-2	A-9 CALIBRATION (FORWARD ADJUSTMENT)	A-18
1-3 CARTRIDGE	1-3	A-10 AUTO CROP CUT ADJUSTMENT	A-24
1-4 DRIVE SHEET	1-4	A-11 CROP MARK SENSOR ADJUSTMENT	A-21
1-5 CARTRIDGE	1-5	A-12 AUTO CROP CUT ADJUSTMENT	A-24
1-6 DRIVE SHEET	1-6	A-13 MANUAL CROP CUT ADJUSTMENT	A-26
1-7 CARTRIDGE	1-7	A-14 SHEET CUTTER DOWN POSITION ADJUSTMENT	A-27
1-8 DRIVE SHEET	1-8		
2 Essential Settings	2-1	3 Equipment Information	3-1
2-1 MAIN BOARD	2-5	3-1 OPERATIONAL SEQUENCE	3-1
2-2 MAIN BOARD	2-5	3-2 SENSOR BAY	3-2
2-3 OTHER CIRCUIT BOARDS	2-11	3-3 Troubleshooting	3-1
3 Replacement of Main Parts	3-1	3-3-1 TEST AND POINTS DO NOT MATCH	3-1
3-1 TOOL CARTRIDGE REPLACEMENT	3-1	3-3-2 STITCH CUT	3-2
3-2 CARTRIDGE WIRE REPLACEMENT	3-8	3-3-3 SERIAL NUMBER ERROR	3-3
3-3 MAIN BOARD REPLACEMENT	3-13	3-3-4 MAIN REVOLUTION	3-4
3-4 PINCH ROLLER REPLACEMENT	3-17	3-3-5 CROP MARK ERROR	3-4
3-5 CROP MARK REPLACEMENT	3-19	3-3-6 DISTORTED SQUARE WAVY LINE	3-5
4 Adjustment	4-1	3-3-7 MAIN BOARD NOT RECOGNIZED WITH CUT	3-6
4-1 SPECIAL TOOL	4-1	3-3-8 PRINT CUTS NOT MATCH WITH CUT	3-7
4-2 HOW TO UPDATE FIRMWARE	4-2	3-3-9	3-7
4-3 TOOL HEIGHT ADJUSTMENT	4-3	3-3-10	3-7
4-4 TOOL HEIGHT ADJUSTMENT	4-3	3-3-11	3-7
4-5 WIRE HEIGHT ADJUSTMENT	4-11	3-3-12	3-7
4-6 TOOL PRESSURE ADJUSTMENT	4-14	3-3-13	3-7

Rolland and GX-500 are registered trademarks or trademarks of Rolland Corporation in the United States and/or other countries. **First Edition**  
GX-500-0104

Copyright © 2004, Rolland DG Corporation

Rolland DG Corporation 7932-01

[Download PDF version of :](#)  
**Roland Gx 500 Service Manual**