

# Download File PDF Marine Engines Parts

#Jenny



Finally I get this ebook, thanks for all these I can get now!

#Rio



Cool! I'am really happy

#Markus Jensen



I did not think that this would work, my best friend showed me this website, and it does! I get my most wanted eBook

#Hun Tsu



wtf this great ebook for free?!

#Che Salsa

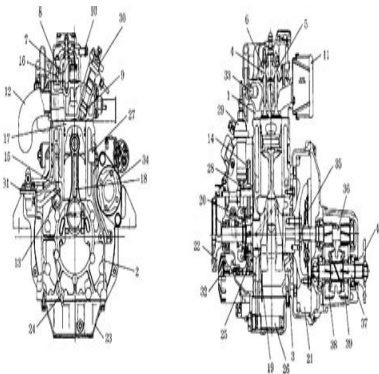


My friends are so mad that they do not know how I have all the high quality ebook which they do not!

#Diego Butler



so many fake sites. this is the first one which worked! Many thanks



[Download PDF version of :](#)  
**Marine Engines Parts**

- |                             |                     |                                |
|-----------------------------|---------------------|--------------------------------|
| 1. Cylinder head            | 11. Intake silencer | 21. Flywheel                   |
| 2. Cylinder body            | 12. Main drive      | 22. Crankshaft V pulley        |
| 3. Main bearing housing     | 13. Crankshaft      | 23. Oil pan                    |
| 4. Exhaust valve            | 14. Crankshaft gear | 24. Dipstick                   |
| 5. Intake valve             | 15. Tappet          | 25. Lubricating oil pump       |
| 6. Valve spring             | 16. Push rod        | 26. Lubricating oil inlet pipe |
| 7. Valve rocker arm support | 17. Piston          | 27. Anti emission valve        |
| 8. Valve rocker arm         | 18. Connecting rod  | 28. Piston injection pump cam  |
| 9. Precombustion chamber    | 19. Crankshaft      | 29. Piston injection pump      |
| 10. Decompression lever     | 20. Crankshaft gear | 30. Piston injection needle    |
|                             |                     | 31. Piston feed pump           |
|                             |                     | 32. Cooling water pump         |
|                             |                     | 33. Thermostat                 |
|                             |                     | 34. Starter motor              |
|                             |                     | 35. Damper disc                |
|                             |                     | 36. Input shaft                |
|                             |                     | 37. Output shaft               |
|                             |                     | 38. Forward large gear         |
|                             |                     | 39. Reverse large gear         |
|                             |                     | 40. Output shaft coupling      |