

# Download File PDF How Many Pages Are In A Mini Cooper Manual

#Jenny



Finally I get this ebook, thanks for all these I can get now!

#Rio



Cool! I'am really happy

#Markus Jensen



I did not think that this would work, my best friend showed me this website, and it does! I get my most wanted eBook

#Hun Tsu



wtf this great ebook for free?!

#Che Salsa



My friends are so mad that they do not know how I have all the high quality ebook which they do not!

#Diego Butler



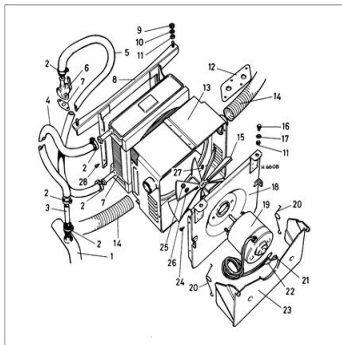
so many fake sites. this is the first one which worked! Many thanks

## 3\*10 Cooling, heating and ventilation systems

5 Undo and remove the screws securing the mounting bracket to the casing, lift off the mounting bracket and withdraw the heater matrix.  
6 Clean off all traces of rust and dirt from the matrix, and carefully inspect it for leaks or signs of excessive corrosion. The matrix should be renewed if it is badly corroded or leaking.  
7 Reassembly is the reverse of the dismantling procedure.

### Fresh air type

8 Remove the heater assembly from the car as described in Section 15.  
9 Undo and remove the two screws securing the control panel to the heater casing and lift off the panel **before** disconnecting the wiring.  
10 Carefully prise off the spring retaining clips and separate the two halves of the casing.  
11 Withdraw the motor assembly and then lift out the heater matrix.  
12 The two rotors may be removed from the lower rotor by releasing the retaining clips and sliding off the rotors.  
13 Clean off all traces of rust and dirt from the matrix, and carefully inspect it for leaks or signs of excessive corrosion. The matrix should be renewed if it is badly corroded or leaking.  
14 Reassembly is the reverse of the dismantling procedure.



16.2 Exploded view of the recirculating heater

- |              |                    |                     |                     |              |                        |
|--------------|--------------------|---------------------|---------------------|--------------|------------------------|
| 1 Hose       | 6 Tag              | 11 Washer           | 15 Screw            | 20 Spring    | 25 Nut                 |
| 2 Clip       | 7 Gasket           | 12 Bearing plate    | 17 Washer           | 21 Connector | 26 Washer              |
| 3 Connection | 8 Mounting bracket | 13 Control panel    | 18 Motor            | 22 Sleeve    | 27 Fan retaining screw |
| 4 Outer hose | 9 Nut              | 14 Electrical hoses | 19 Mounting bracket | 23 Fan       | 28 Screw               |
| 5 Inner hose | 10 Washer          | 15 Fan              | 19 Motor            | 24 Screw     |                        |

[Download PDF version of :](#)  
**How Many Pages Are In A Mini Cooper Manual**