

# Download File PDF How A Dishwasher Service Manual

#Jenny



*Finally I get this ebook, thanks for all these I can get now!*

---

#Rio



*Cool! I'am really happy*

---

#Markus Jensen



*I did not think that this would work, my best friend showed me this website, and it does! I get my most wanted eBook*

---

#Hun Tsu



*wtf this great ebook for free?!*

---

#Che Salsa



*My friends are so mad that they do not know how I have all the high quality ebook which they do not!*

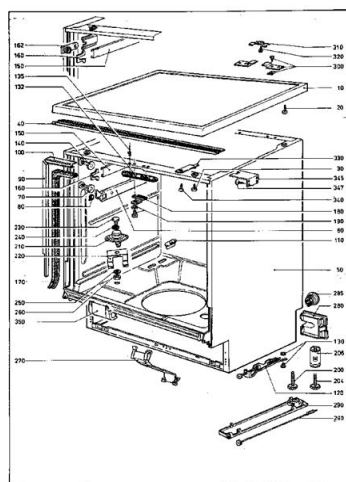
---

#Diego Butler



*so many fake sites. this is the first one which worked! Many thanks*

---



[Download PDF version of :](#)  
**How A Dishwasher Service Manual**