

# Download File PDF Honda Gx160 Exploded Engine Diagram

#Jenny



*Finally I get this ebook, thanks for all these I can get now!*

#Rio



*Cool! I'am really happy*

#Markus Jensen



*I did not think that this would work, my best friend showed me this website, and it does! I get my most wanted eBook*

#Hun Tsu



*wtf this great ebook for free?!*

#Che Salsa

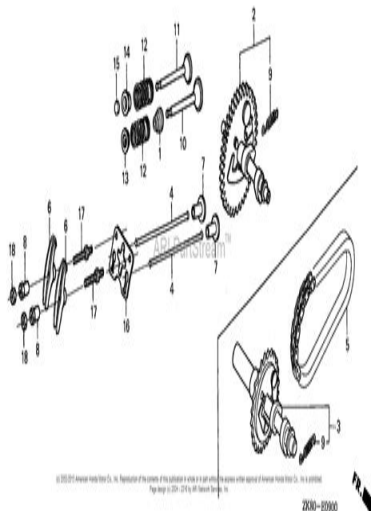


*My friends are so mad that they do not know how I have all the high quality ebook which they do not!*

#Diego Butler



*so many fake sites. this is the first one which worked! Many thanks*



[Download PDF version of :](#)  
**Honda Gx160 Exploded Engine Diagram**