

#Jenny



Finally I get this ebook, thanks for all these I can get now!

#Rio



Cool! I'am really happy

#Markus Jensen



I did not think that this would work, my best friend showed me this website, and it does! I get my most wanted eBook

#Hun Tsu



wtf this great ebook for free?!

#Che Salsa



My friends are so mad that they do not know how I have all the high quality ebook which they do not!

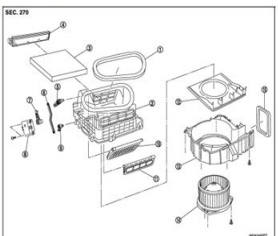
#Diego Butler



so many fake sites. this is the first one which worked! Many thanks

REMOVAL AND INSTALLATION >

BLOWER UNIT



1. Seal
2. Intake upper case
3. In-cabin microphone (for optional filter)
4. Filter cover
5. Intake door lever 1
6. Intake door link
7. Intake door lever 2
8. Intake door motor
9. Intake door lever 3
10. Intake door 2
11. Intake door 1
12. Intake bell mouth
13. Intake lower case
14. Blower motor assembly
15. Seal

* Only for MEXICO only

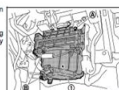
BLOWER UNIT

BLOWER UNIT: Removal and Installation

REMOVAL

1. Remove instrument lower panel (R). Refer to [VTL-12 "Instrument Lower Panel"](#).
2. Disconnect intake door motor connector.
3. Disconnect blower motor connector.
4. Remove mounting bolt (A) and bring screws (B), and then remove blower unit assembly (1).

CAUTION:
Move blower unit assembly rightward, and remove locating pin (1) (left) and joint. Then remove blower unit assembly downward.



VTL-12 www.epcat.alogis.com

[Download PDF version of :
2012 370z Service Manual](#)